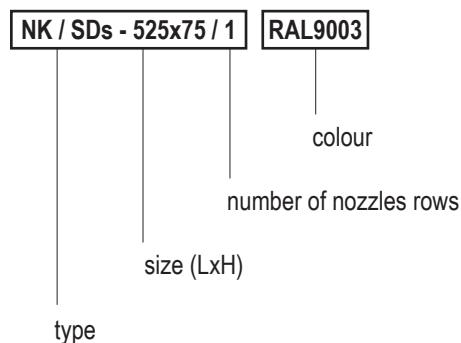




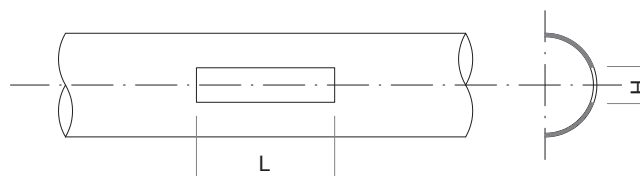
ORDER REFERENCE



INSTALLATION

NK/RD and NK/RDM diffusers are designed for direct installation on the ventilation ducts. To install the diffuser, prepare an installation hole sized LxH for the chosen diffuser, slide the diffuser into the hole and fix it to the duct with steel bolts. Seal the connection between the duct and the diffuser.

Be careful when choosing the height of the diffuser in relation to the duct diameter. See the table with standard sizes.



DESCRIPTION

NK/SDs are air duct diffusers with cone-shaped nozzles designed for installation in round spiro channels in low- and medium-pressure installations. These diffusers were designed to keep construction places free from steaming: windows, walls etc. Due to stable air flow shape, these diffusers can work with constant or variable airflow. Standard make includes one (1), two (2) or three (3) rows of nozzles.

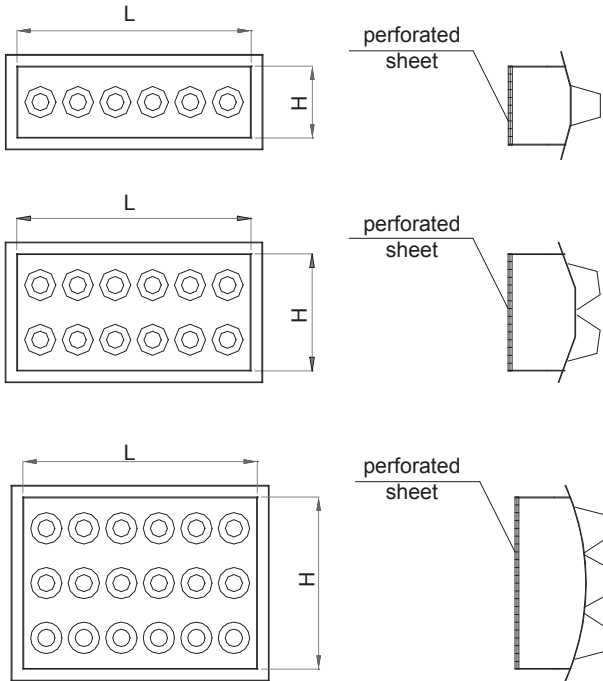
FEATURES

- standard make includes one, two or three rows of nozzles made of zinc-coated sheet
- possible to install individual diffusers in a row
- nozzles made with a high quality ABS materials
- available in standard RAL 9006 colour
- upon customer's request, can be made available in any size and colour from RAL palette

5.3 NK/SDs

air duct diffusers with cone-shaped nozzles for spiro pipes

DIFFUSERS NK/SDS



STANDARD SIZES

Size NK/SDs	Number of nozzles rows	L [mm]	H [mm]	Air duct diameter [mm]
525x75/1	1	525	75	160-200-250
1025x75/1	1	1025	75	160-200-250
525x160/2	2	525	160	400-500-630
1025x160/2	2	1025	160	400-500-630
525x225/3	3	525	225	630-800-1000
1025x225/3	3	1025	225	630-800-1000

L - installation hole length
H - installation hole height

FEATURES

The figure shows airflow capacity V (m³/h), pressure loss p (Pa), airflow scope L (m) for end speed of 0.25 m/s, and volume level [dB(A)].

The airflow scope L relates to isothermal air supply.

conical nozzle SD

